

HORNUNG

Präzision made in Germany

Our catalogue for
industrial gas control equipment

Line pressure regulator HD 250

- Inlet pressure max. 440 bar and operating pressures up to 250 bar



Fittings and gauges optional

| TECHNICAL DETAILS | | APPLICATION AREA | DESCRIPTION |
|-------------------------|---|---|---|
| Body: | brass, nickel and matt chrome plated or stainless steel | <ul style="list-style-type: none"> · This pressure regulator is designed for use with high inlet and outlet pressures. · High pressure technology · Pilot pressure regulator e.g. in controlled systems in connection with dome pressure regulators. · The high-grade steel construction with elastomer made of viton compound permits the use of aggressive media with HD 250. | <p>The line pressure regulator HD 250 is a single-stage pressure regulator for high pressure applications (in- and outlet).</p> <p>The HD 250 is designed as a piston pressure regulator and reduces the pressure of compressed gases or liquids to a maximum outlet pressure of 250 bar.</p> |
| Seat: | PCTFE | | |
| Elastomer: | viton / NBR | | |
| Max. inlet pressure: | 440 bar | | |
| Outlet pressure ranges: | 5-250; 1-100; 1-50 bar | | |
| Operating temp.: | -20°C to +70°C | | |
| Size: | 131 x Ø 53 mm | | |
| Weight: | 865 g | | |
| Threads: | in- and outlet NPT 1/4" f | | |

QUALITY STANDARD

The company Hornung is certified to **DIN EN ISO 9001** and **ISO 14001:2009**. All single parts are manufactured, assembled and tested by in-house production. The finished parts are therefore under all criteria of German quality control with 100% final inspection.

HORNUNG

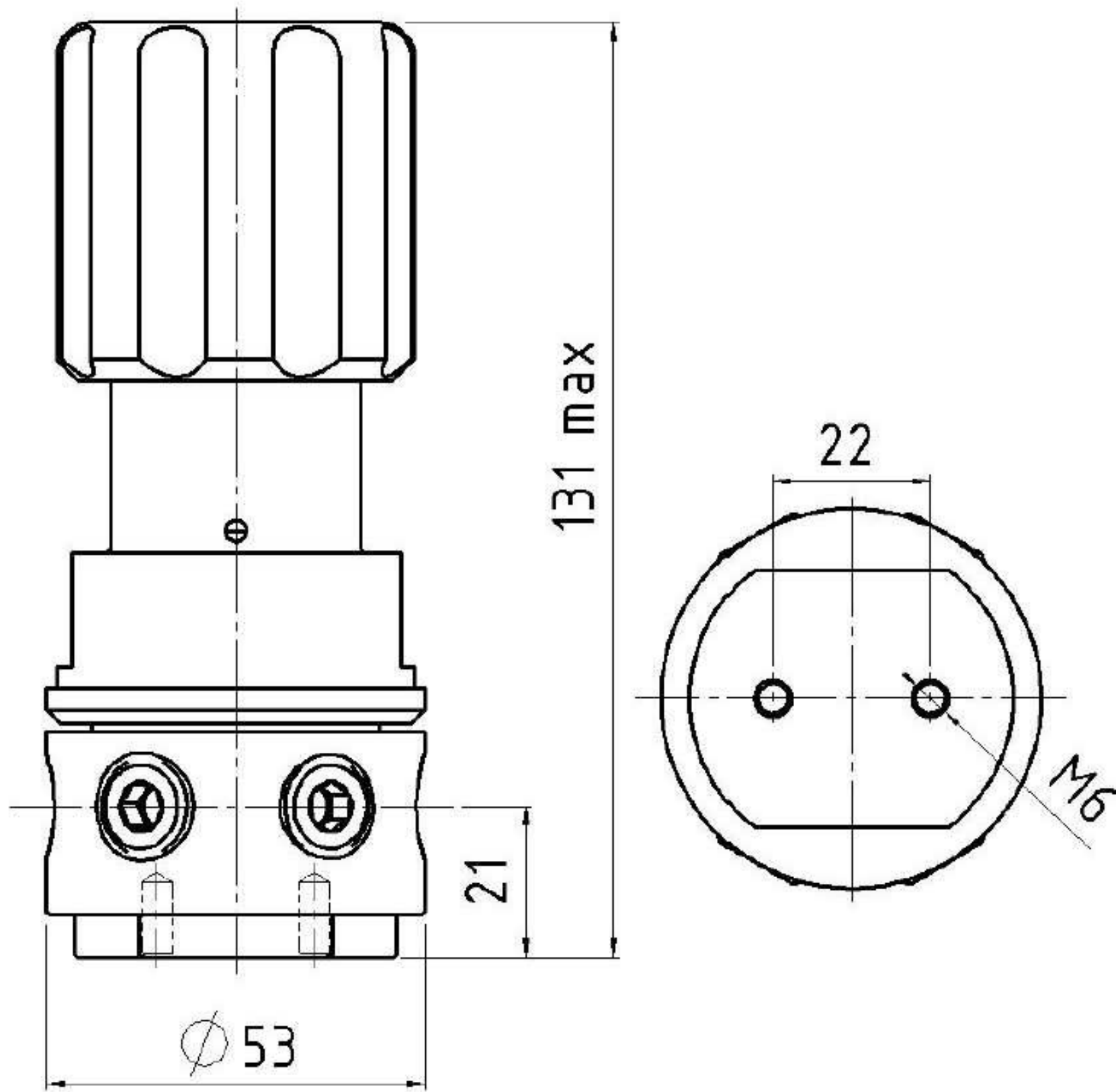
Präzision made in Germany

Rathenaustraße 55
63263 Neu-Isenburg

Phone: +49 6102 7883-70
Fax: +49 6102 7883-40

www.hornung.org
info@hornung.org

HD 250



ORDER DETAILS

| Material: | Elastomer: | Outlet pressure ranges: | Gauge: | Outlet option: |
|---|----------------------|--|---|--|
| 1 = brass, nickel and matt chrome plated 2 = stainless steel electropolished | 1 = NBR 2 = viton | 1 = 5 - 250 bar 2 = 1 - 100 bar 3 = 1 - 50 bar | 1 = without gauges 2 = outlet pressure gauge 3 = in- and outlet pressure gauges | 00 = NPT 1/4" f 03 = compression fitting 3 mm 06 = compression fitting 6 mm 08 = compression fitting 8 mm 10 = compression fitting 10 mm 12 = compression fitting 12 mm |

| | | | | | | | | | |
|----------------|----|--------|-------------|---------------|----------------|---------------|------------|--------------|----------------------|
| Regulator type | 42 | HD 250 | 42- Type | 1 Material | 1 Elastomer | 3 Pressure | 2 Gauge | 06 Option | Gas type Gas type |
|----------------|----|--------|-------------|---------------|----------------|---------------|------------|--------------|----------------------|

Accessories: See total catalogue segment

7. Gauges, screws, compression fittings and other accessories