

# **HORNUNG**

**Präzision made in Germany**

Our catalogue for  
**high purity gas control equipment**

# Point of use regulator HP 450 Frontline

- wall mounting V-Version (system version)



TECHNICAL DETAILS		APPLICATION AREA	DESCRIPTION
Body:	stainless steel 1.4404 electropolished or brass, nickel and matt chrome plated	Especially for gases with high requirements on purity to 6.0. secure and leak proof.	The point of use regulator HP 450 is a system wall version. The point of use regulator is ready mounted on a console and is connected to a permanently laid piping system. It serves as a second-stage and reduces the line pressure to an adjustable working pressure.
Seat:	PCTFE	Through our special cleaning system our pressure regulators are suitable for ECD – applications.	
Diaphragm:	1.4435	The point of use regulator HP 450 is also suitable for acetylene with the use of a corresponding flash-back arrestor to EN730.	1 to 5 regulators with a modular dimension of 100 mm can be collectively mounted on one bracket.
Leakage rate:	10 <sup>-8</sup> mbar l/s helium against atmosphere		
Gas purity:	≤ 6.0		The HP 450 point of use regulator is fitted with a diaphragm shut-off valve, pressure regulator with pressure gauge as standard.
Max. inlet pressure:	40 bar		
Outlet pressure ranges:	0,1-1; 0,1-3; 1-6; 1-12 bar		
Operating temp.:	-20°C to +70°C		
Gauges:	safety version to: EN 837-1 KL1,6		
Weight:	3050 g		
Connections:	inlet NPT 1/4" f outlet NPT 1/4" f		

## QUALITY STANDARD

The company Hornung is certified to **DIN EN ISO 9001** and **ISO 14001:2009**. All single parts are manufactured, assembled and tested by in-house production. The finished parts are therefore under all criteria of German quality control with 100% final inspection.

# HORNUNG

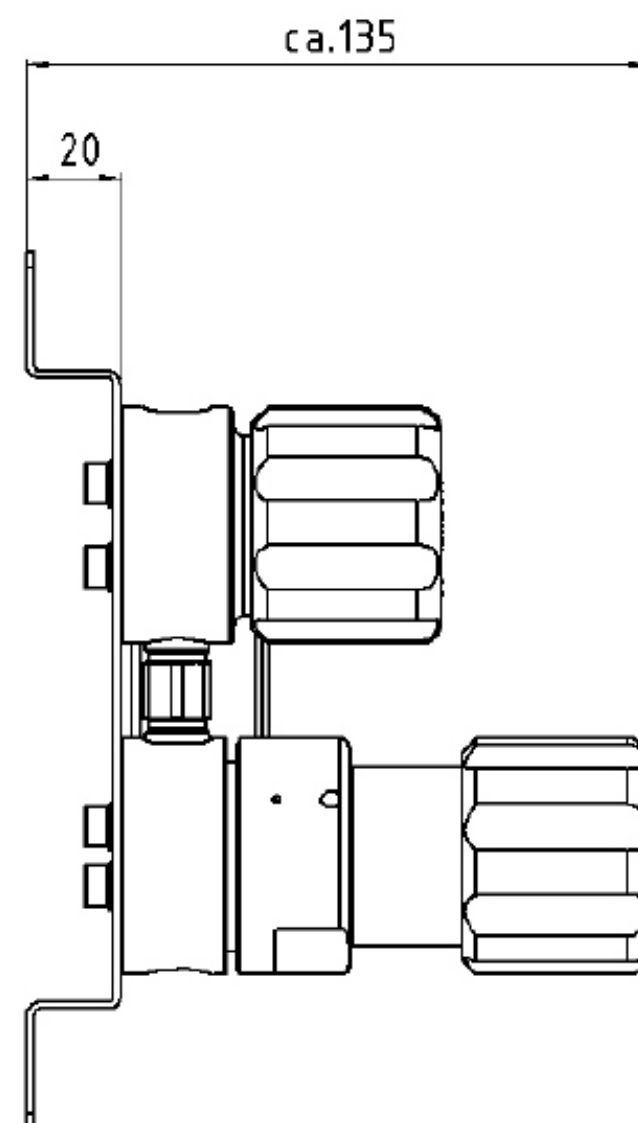
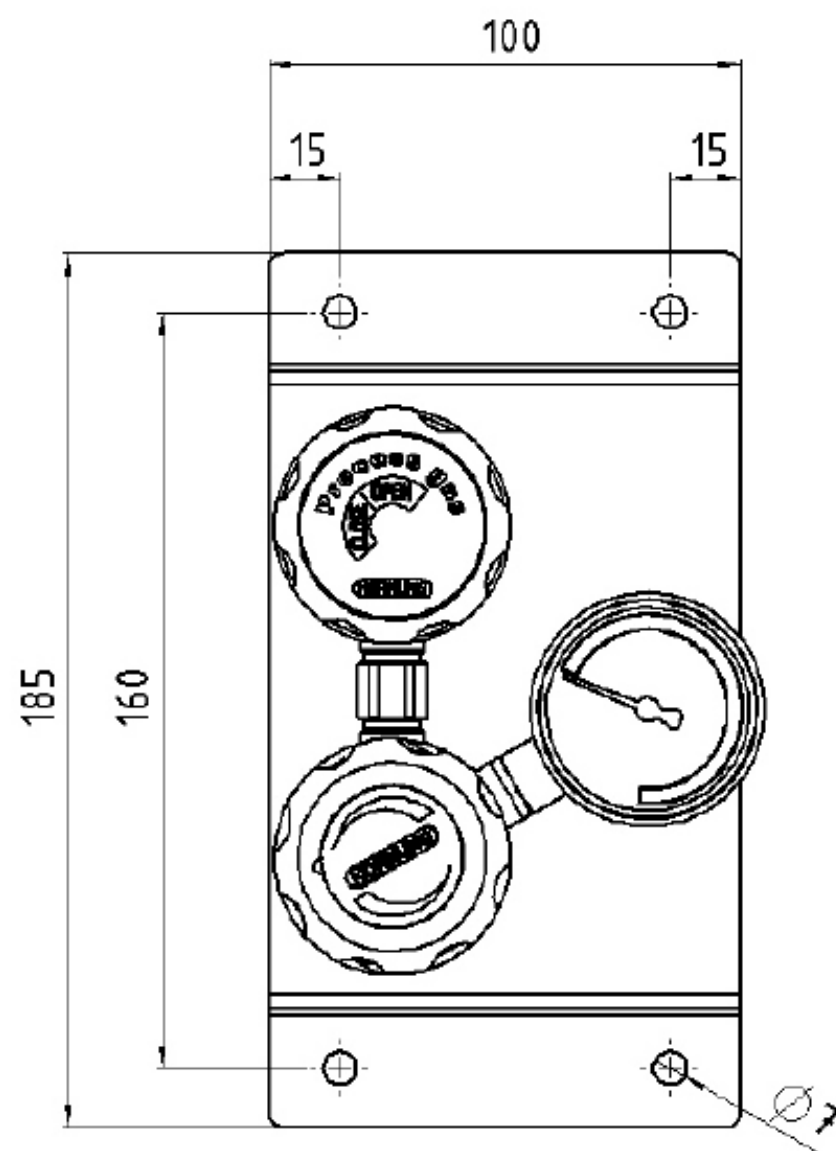
Präzision made in Germany

Rathenaustraße 55  
63263 Neu-Isenburg

Phone: +49 6102 7883-70  
Fax: +49 6102 7883-40

www.hornung.org  
info@hornung.org

# HP 450 FRONTLINE

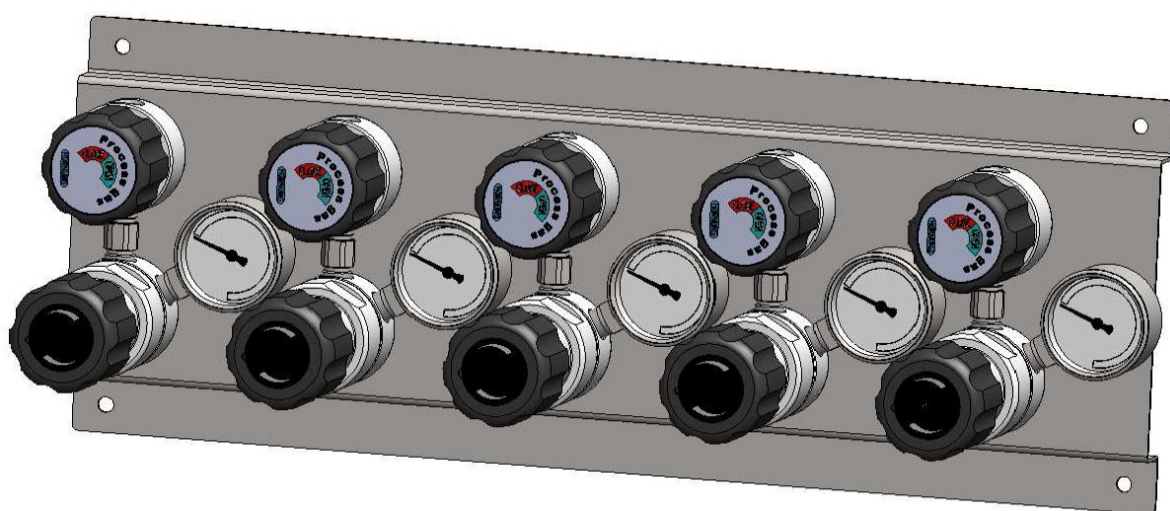


## ACCESSORIES

See total catalogue segment

- 5. Diaphragm shut-off und dosage valves
- 7. Accessories

Also available in a fivefold version as seen below:



## SCOPE OF SUPPLY

Cylinder station with outlet gauge and inlet shutoff valve.  
Completely mounted on a wall console out of stainless steel.

Without compression fittings.

## ORDER DETAILS

### Material:

- 1 = stainless steel
- 2 = brass

### Point of use regulator:

- 1 = 1-fold
- 2 = 2-fold
- 3 = 3-fold
- 4 = 4-fold
- 5 = 5-fold

### Outlet pressure ranges:

- 1 = 0,1 - 1 bar
- 2 = 0,1 - 3 bar
- 3 = 1 - 6 bar
- 4 = 1 - 12 bar

### Options on the outlet side:

- 1 = NPT 1/4" f
- 2 = compression fitting 6 mm

HP450-  
Type

2  
Material

1  
Regulator

3  
Pressure

1  
Option

Gas type  
Gas type