

Stainless Steel Full & Reduced Bore Extended Ball Valve



Type: PY4 Stainless Steel Extended Ball Valve

Size: 1/4" - 2" (DN8 - DN50)

Pressure Range: to DN20 = 100 bar (1,450psi) / to DN32 = 70 bar (1,015psi) / to DN50 = 50 bar (725psi)

Temperature Range: -196°C / -321°F up to +190°C / +374°F

Description: Stainless steel extended spindle 3-piece cryogenic ball valve complete with live loaded packing and pressure relief hole.

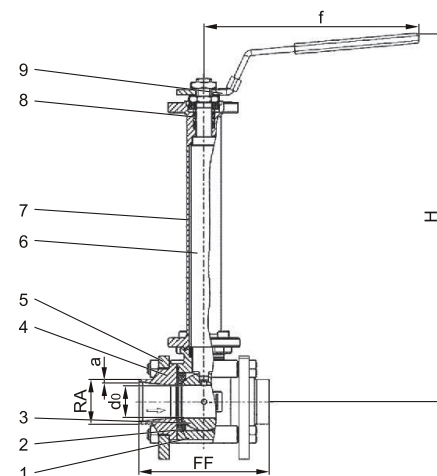
Options Include: Full and reduced bore, actuation, double block & bleed, fire-safe, 3-way valves and end connection options.

Cleaned & packed for Oxygen Service

CE Standard marking according to the Pressure Equipment 97/23/EG * from June 2013

TÜV Marking acc. to Directive 99/36/EG (TPED) will only be carried out by written notice on purchase

Materials	DIN EN	ASTM
1 Body	1.4409	A 351 CF3M
2 Ball seat	PTFE / Carbon filled	
3 Ball	1.4409	A 351 CF3M
4 Connection	1.4404	A 276 Grade 316L
5 Flange	1.4306	A 275 Grade 304L
6 Stem	1.4404	A 276 Grade 316L
7 Elongation tube	1.4306	A 312 TP 304L
8 Gland Packaging	Graphite / PTFE	
9 Lever	1.1181	1035



Type PY4 Extended	Technical Data								
Nominal Size	DN	8	12	15	20	25	32	40	50
Face-to-face dimension	FF	65	65	70	85	100	110	125	150
Height	H	226.5	226.5	230	278.9	283	322.5	327.5	345.8
Outside pipe-o EN ISO 1127*	RA	13.5	17.2	21.3	26.9	33.7	42.4	48.3	60.3
Wall thickness pipe EN ISO 1127*	a	2.0	2.0	2.0	2.0	2.0	2.6	2.6	2.9
Orifice (full bore)	d ₀	11.1	11.1	14.0	19.0	25.0	32.0	38.0	50.0
Length	f	120	120	120	160	160	190	190	230
Weight	ca. kg	1.05	1.05	1.45	2.35	3.05	4.55	6.30	11.10
Kvs - Value (full bore)	m ³ /h	6.0	8.0	13.0	26.0	46.0	82.0	120.0	223.0
Cv - Value (full bore)	gal /min	6.9	9.2	15.0	30.0	53.2	94.8	138.7	257.8

Dimensions in mm. *ASME B36 welding options available.

PY4 - DN8-DN50 Stainless Steel Extended Ball Valve

Options	Typical Part Number — PY4 L SW V I 025 CY FS						Options
Seat PY4	Loose Ends L	Connection BW - ISO butt weld BA - sch.10 butt weld BB - sch. 40 butt weld SW - ISO socket weld SA - ASME B36 butt weld TG - BSPP threaded TB - NPT threaded	Bore N - full bore* V - reduced bore	Material I - full stainless	Size 008 / DN8 - 1/4** 012 / DN12 - 3/8** 015 / DN15 - 1/2" 020 / DN20 - 3/4" 025 / DN25 - 1" 032 / DN32 - 1.1/4" 040 / DN40 - 1.1/2" 050 / DN50 - 2"	Extension CY - extended	Seat Trim FS - Fire-Safe

*Only available in full bore