



MOISTURE METERS

## Model SADP-D Portable Dewpoint Meter

### *The world renowned Model SADP-D portable dewpoint meter from Shaw Moisture Meters*

offers an easy to use hygrometer for fast and reliable trace moisture measurement.

Designed to operate at atmospheric pressure, the Model SADP-D features a large, easy to read LCD indicator scaled in °C dewpoint or °F dewpoint.

The key to the Shaw SADP-D dewpoint meter is the unique desiccant head and sensor assembly which allows the sensor to be kept dry between tests. This ensures that the instrument is always available for rapid spot checks of moisture in gases and compressed air.

The Model SADP-D is fully self contained and is certified intrinsically safe for use in hazardous areas to ATEX and IECEx standards, without the need for any additional accessories such as zener barriers etc.

The instrument is supplied ready for use with batteries installed, Calibration Certificate traceable to National and International Humidity Standards, two metres of PTFE sampling hose, instruction manual and a specially designed heavy duty leather case with shoulder strap.



### Features

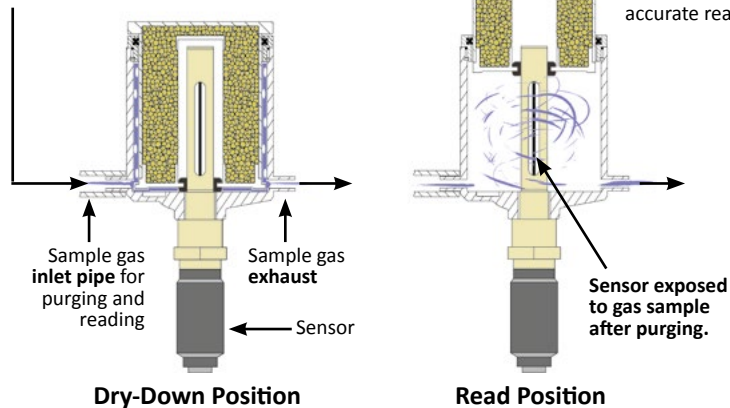
- Guaranteed accuracy  $\pm 3$  °C to  $\pm 4$  °C ( $\pm 5.4$  °F to  $\pm 7.2$  °F) dewpoint
- Intrinsically safe to ATEX and IECEx standards
- Various ranges: overall range -100 °C to +20 °C (-148 °F to +68 °F) dewpoint
- LCD display indication in °C or °F
- Desiccant dry-down chamber for instantaneous readings
- "AutoCal" calibration feature
- Standard "C" type battery operation
- Self-contained, robust and reliable
- Fully portable
- Simple to operate
- Over 150 hours continuous operation
- Supplied with Calibration Certificate traceable to National & International Humidity Standards



MOISTURE METERS

## Desiccant Dry-Down Technology

The unique design allows purging of the gas in the "dry-down position" which will bring all surfaces and voids to equilibrium. The "head" can then be raised to take a reading.



### The Desiccant Head Assembly

Keeping the sensor dry between tests ensures that the SADP-D is always ready to carry out rapid spot checks. The unique design of the *desiccant head* achieves this by surrounding the sensor with desiccant before the head is lifted for sampling.

At no time is the sensor allowed to come into contact with ambient air. The chamber is also designed so that the void space and chamber wall surfaces are purged with sample gas, prior to exposure of the sensor, giving faster, more accurate and reliable results.

## Automatic Calibration

The most important and unique feature of the Shaw system is the **automatic calibration** facility. Each Shaw sensor is precisely manufactured to saturate with water vapour at its design maximum. Hence, when the sensor is exposed to moisture above its maximum operating range, it will rapidly come into equilibrium and cease to respond to any further increase in moisture. This forms the basis of automatic calibration (AutoCal).

The Shaw sensor can be checked by simply exposing it to any atmosphere which is wetter than the operating range of the sensor (usually room air is sufficient) and adjusting the calibration control on the front panel of the instrument. The sensor is now set up with the instrument and ready for use.

AutoCal can be carried out in-situ and without the need for any special equipment or skilled personnel. The net result is reduced downtime, minimal calibration costs and immediate verification of the system.



*SADP-D complete with two metres of PTFE sampling hose, pressure calculator, instruction manual and heavy duty leather case with shoulder strap.*

## Specifications

### DEWPOINT SENSOR

- Sensing Element**  
 Shaw Ultra High Capacitance Aluminium Oxide Sensor
- Ranges**  
**P** (Purple): -100 to 0 °C dewpoint, 0 - 6,000 ppm(v)  
**S** (Silver): -100 to -20 °C dewpoint, 0 - 1,000 ppm(v)  
**G** (Grey): -80 to 0 °C dewpoint, 0 - 6,000 ppm(v)  
**R** (Red): -80 to -20 °C dewpoint, 0 - 1,000 ppm(v)  
**B** (Blue): -80 to +20 °C dewpoint, 0 - 23,000 ppm(v)
- Intrinsic Safety Certification**  
 ATEX: II 1 G Ex ia IIC T6 Ga  
 IECEx: Ex ia IIC T6 Ga
- AutoCal**  
 Field calibration/span check facility. Activated and operated via potentiometer on the front of the instrument
- Factory Calibration**  
 Supplied with Certificate of Calibration traceable to National Physical Laboratory (NPL)
- Accuracy**  
 $\pm 3\text{ }^{\circ}\text{C} / \pm 4\text{ }^{\circ}\text{C} (\pm 5.4\text{ }^{\circ}\text{F} / \pm 7.2\text{ }^{\circ}\text{F})$  dewpoint  
 NPL traceable -90 °C to +20 °C (-130 °F to +68 °F)
- Response Times**  
 Wet to dry: -20 °C to -60 °C - less than 120 secs  
 Dry to wet: -100 °C to -20 °C - less than 20 secs
- Sample Flow Rate**  
 Flow independent but ideally 2 to 5 litres per minute  
 Max: 20 litres/min
- Calibration Warranty**  
 12 months from date of dispatch



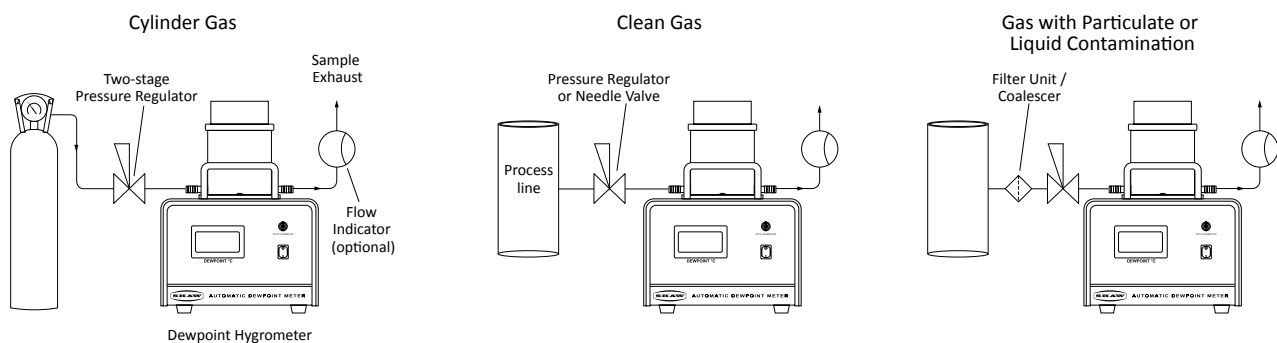
### ELECTRICAL

- Electromagnetic Compatibility (EMC)**  
 Immunity: complies with EN 61000-6-1:2001  
 Emissions: complies with EN 61000-6-3:2000
- Warm Up Time**  
 5 seconds
- Display**  
 Digital: 4 ½ digit, LCD. Factory set to read either °C or °F dewpoint
- Power Supply**  
 9 V DC – six “C” type batteries (included)
- Battery Life**  
 In excess of 150 hours continuous operation
- Resolution**  
 0.1 °C, 0.2 °F dewpoint or 0.1 ppm(v)
- Repeatability**  
 Better than  $\pm 0.5\text{ }^{\circ}\text{C} (\pm 0.9\text{ }^{\circ}\text{F})$  dewpoint

### MECHANICAL

- Dimensions and Weight**  
 Overall dimensions: 200 mm (w) x 225 mm (d) x 278 mm (h) Height (328 mm with head extended) Weight 4.5 kg
- Operating Pressure**  
 Atmospheric to 0.3 barg
- Operating Humidity (External)**  
 Maximum - 95% RH non-condensing
- Operating Temperature**      **Storage Temperature**  
 -20 °C to +40 °C (-4°F to +104 °F)    -20 °C to +40 °C (-4°F to +104 °F)
- Sensor Protection**  
 316 sintered stainless steel filter - 50 micron
- Weatherproof Classification**  
 IP66/NEMA 4X
- Connections**  
 Two Fir Tree type on either side of desiccant chamber
- Mechanical Warranty**  
 24 months in case of faulty workmanship and defective parts

## Guide to Installation



**Ordering Information**

**Model SADP-D**



SADP-D - (R)

**(R) - Choose required range:**

**P (Purple):** -100 to 0 °C (-148 °F to +32 °F) dewpoint

**S (Silver):** -100 to -20 °C (-148 °F to -4 °F) dewpoint

**G (Grey):** -80 to 0 °C (-112 °F to +32 °F) dewpoint

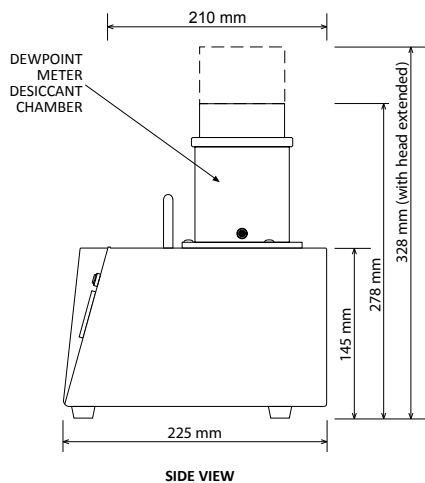
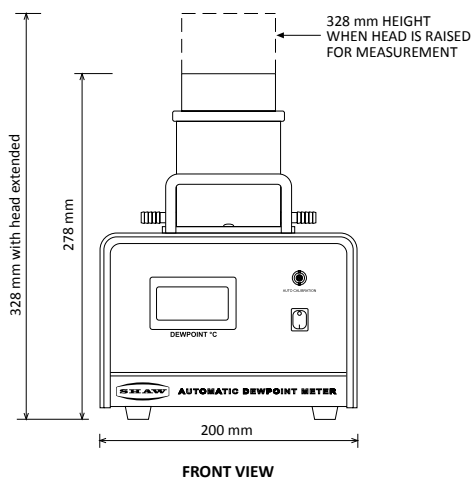
**R (Red):** -80 to -20 °C (-112 °F to -4 °F) dewpoint

**B (Blue):** -80 to +20 °C (-112 °F to +68 °F) dewpoint

Example:

To order a Model SADP-D with a measuring range of -80 to 0 °C dewpoint (grey sensor) please order as **SADP-D-G**

**SADP-D General Assembly Diagram**



**Related Products**

**SU3 Sample Plate**

for mounting on the side of the SADP-D, comprising flow meter, pressure gauge, filter unit and pressure regulator (210 bar).



**SU2 Sample Plate**

for mounting on top of SADP-D, comprising flow meter, pressure gauge and pressure regulator (210 bar).



**Pressure Regulator**

Pressure regulators (Model PRV) are used for accurate control of pressure at all important points in a sample system.



**Flow Meter**

This compact flow meter (Model FLMET) is used to provide a visual indication and fine control of sample flow.



**Service Kit**

Includes desiccant, head seal kit, grommet, silicone grease and batteries.

**Includes as standard:**

Shaw Sensor, batteries installed, Calibration Certificate, two metres PTFE sampling hose, instruction manual, leather case/fabric case, pressure calculator, screw driver and Allen key.